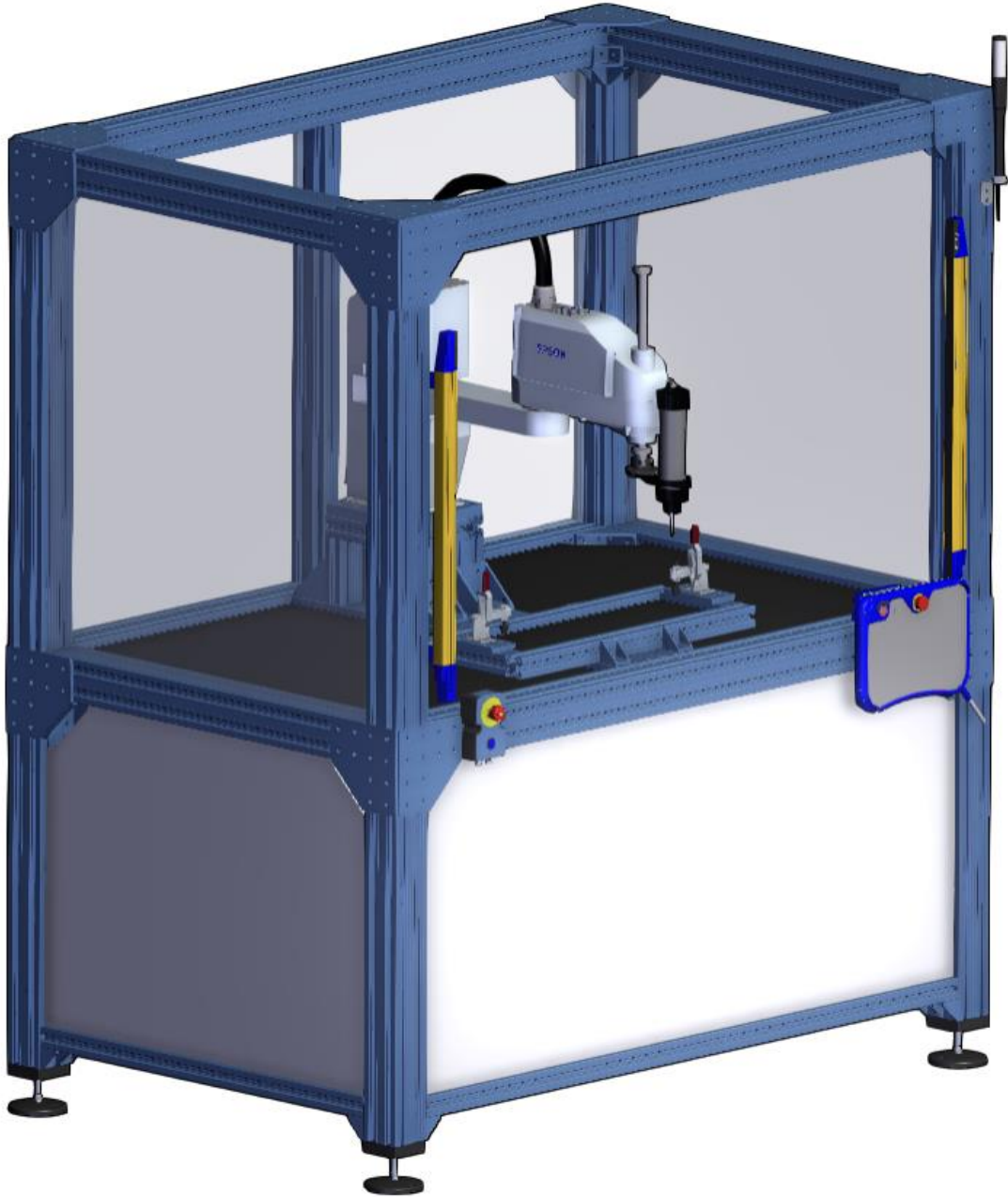


Robotic Dispensing Cell



Safe. Flexible. Cost-effective.

Robotic Automation is finally made for small-to-medium sized manufacturing.

Productivity Solutions Company
585.647.3181 | Rochester, NY
sales@pscco.com | pscco.com



Features

EPSON T6 SCARA robot

- Reach: 600mm
- Payload: 6kg/3kg rated/max
- Programming PC

Machine frame

- Rigid robot base with safety cage
- Flexible mounting options for custom part fixtures
- Operator access via front safety light curtains
- Safety complies with ISO 10218-2

Includes

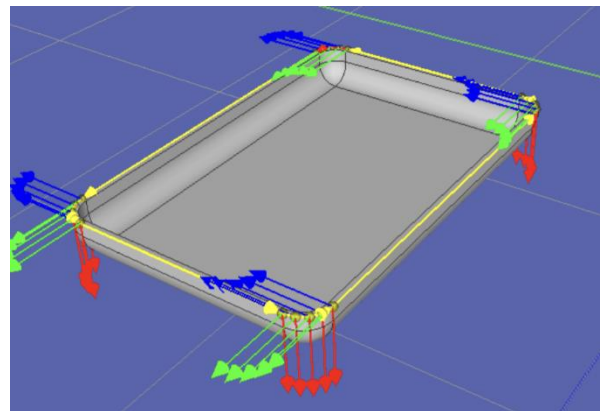
- Pneumatic valve bank with air preparation
- Pneumatic dispensing pump
- *Specified based on application requirements**
- True Plug-and-Play. This means the system comes with pre-wired 110V Electrical Enclosure, with safety and IO ready for programming and production
- 1-day onsite startup training
- Remote support and online training

Built-In CAD-to-Point for complex paths

With the Epson RC+ software, following complex contours is simple using the built-in tools

Available Options

- Vision system for part detection and inspection
- Add-On part conveyor/indexer available
- Part feeding and clamping designed for specific application
- Full programming and commissioning services available



Email Productivity Solutions for more information - sales@pscco.com

Productivity Solutions Company
585.647.3181 | Rochester, NY
sales@pscco.com | pscco.com