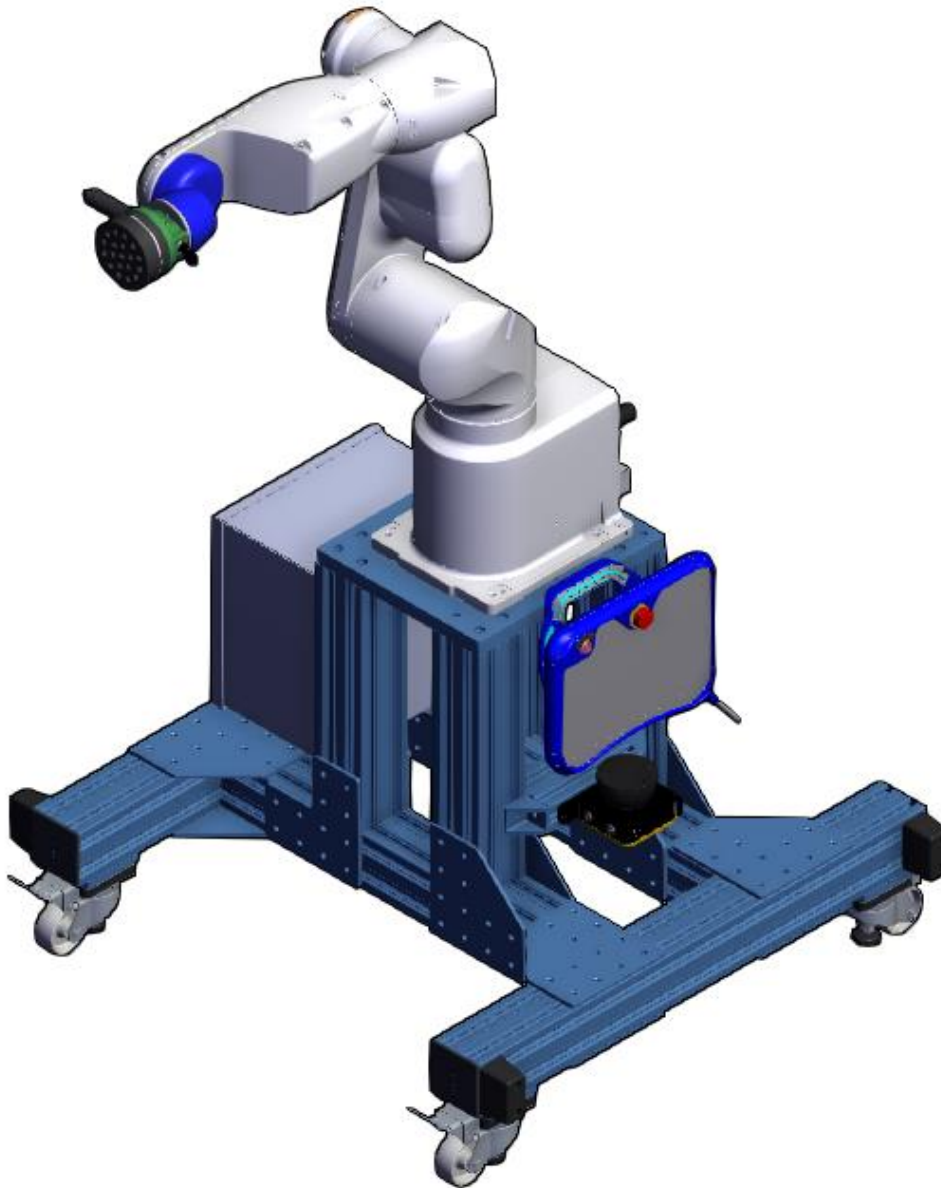


Robotic Pedestal Kit

\$34,900



Safe. Flexible. Cost-effective.

Robotic Automation is finally made for small-to-medium sized manufacturing.

Roll up to any production line—Perfect for Assembly, Packing, Palletizing and more!

Productivity Solutions Company
585.647.3181 | Rochester, NY
sales@pscco.com | pscco.com



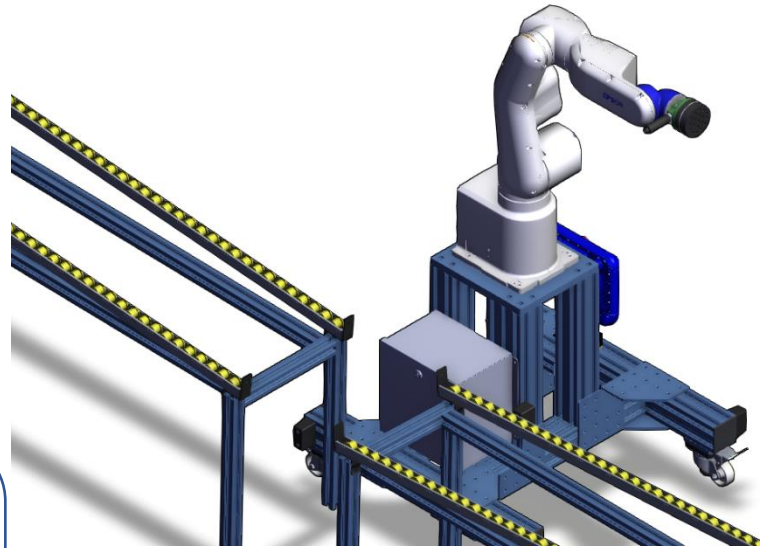
Features

EPSON VT6L 6-axis robot

- Reach: 900mm
- Payload: 3kg/6kg rated/max
- Touch Screen Teach Pendant
- Fast: cycle times 3X faster than Cobots

Machine frame

- Rigid rolling pedestal with locking feet for easy moving
- 2-levels of part drawers for continuous operation
- 2D laser area scanner safety – 270-degree coverage
- Safety complies with ISO 10218-2



Includes

- Pneumatic valve bank with air preparation
- Pneumatic gripper or suction gripper
- True Plug-and-Play. This means the system comes with pre-wired 110V Electrical Enclosure, with safety and IO ready for field wiring to machine
- 1-day onsite startup training
- Remote support and online training

Available Options

- Vision system for part detection and inspection
- Add-On Conveyor available
- Part feeding and clamping designed for specific application
- Programming and commissioning services available

PACKAGING



ASSEMBLY



Email Productivity Solutions for more information - sales@pscco.com