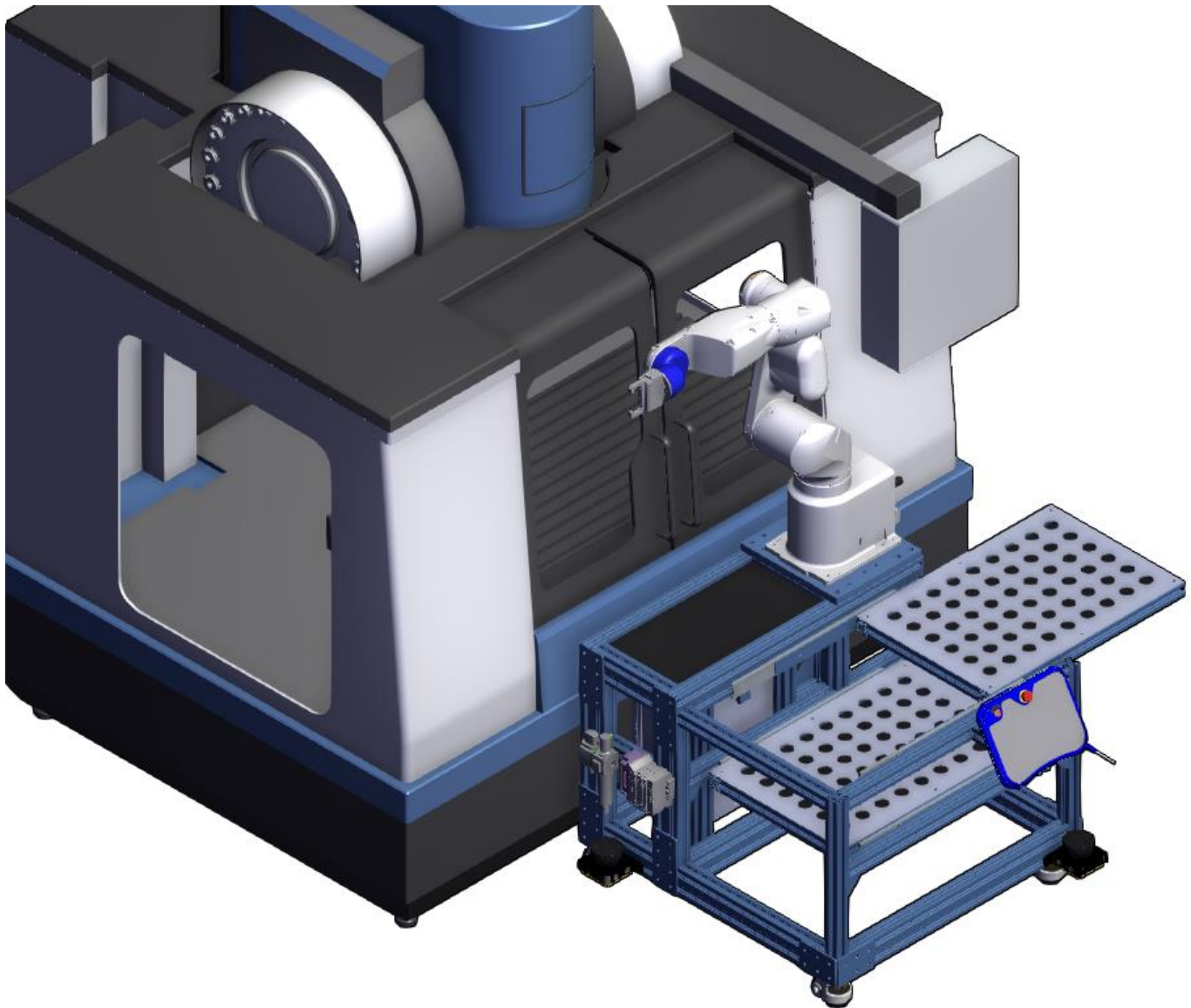


# Robotic Machine-Tending Kit

\$39,900



Safe. Flexible. Cost-effective.

Robotic Automation is finally made for small-to-medium sized manufacturing.  
Automated tending for laser marking, injection molding, CNC machines, and more.

Productivity Solutions Company  
585.647.3181 | Rochester, NY  
sales@pscco.com | pscco.com



## Features

### EPSON VT6L 6-axis robot

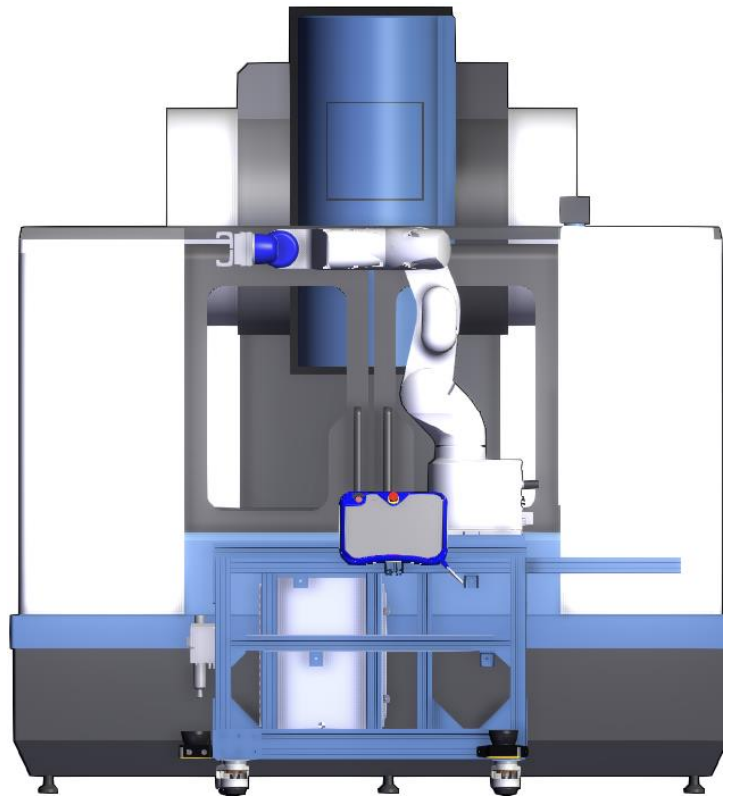
- Reach: 900mm
- Payload: 3kg/6kg rated/max
- Touch Screen Teach Pendant
- Fast: cycle times 3X faster than Cobots

### Machine frame

- Rigid rolling cart with locking feet for easy moving
- 2-levels of part drawers for continuous operation
- 2D laser area scanner safety – 360-degree coverage
- Safety complies with ISO 10218-2

### Includes

- Pneumatic valve bank with air preparation
- Pneumatic gripper with part sensor
- True Plug-and-Play. This means the system comes with pre-wired 110V Electrical Enclosure, with safety and IO ready for field wiring to machine
- 1-day onsite startup training
- Remote support and online training



### Available Options

- Vision system for part detection and inspection
- Auto-door for CNC machine
- Part feeding and clamping designed for specific application
- Programming and commissioning services available

**MACHINE  
LOAD/UNLOAD**



Email Productivity Solutions for more information - [sales@pscco.com](mailto:sales@pscco.com)